

United Industrial Service, Inc.

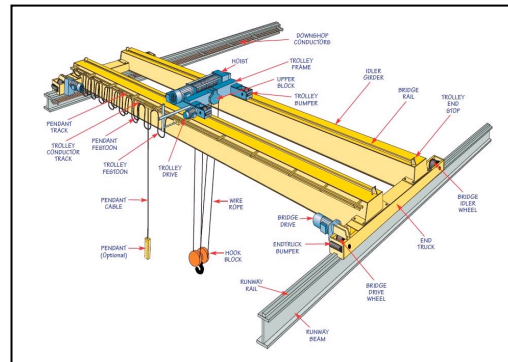
PO Box 380 – 120 Almgren Drive – Agawam, MA 01001 – Tel. (413) 789-0896 – Fax (413) 789-1175

Materials Handling Equipment Sales & Service

Date:

Customer:

Re: Overhead Crane Operator Training Program



Thank you for considering United Industrial Service, Inc for your material handling equipment needs. We are pleased to offer the following for your review and approval.

Overhead Crane Operator Training Program

This course will be conducted in two parts (Classroom and Practical). The Classroom portion should take place in environment free from external distractions (Classroom, conference room, unoccupied section of warehouse etc.) The Practical portion of the training should take place at the overhead crane location. Prior to training customer needs to provide United Industrial Service, Inc. with the Manufacturer's Manuals so we can incorporate in this program.

Classroom

- Introduction and presentation
- OSHA Information
- General Information
- Person Protective Equipment
- Maintenance
- General Safety
- Pre-Operational Inspections
- Testing
- Operation
- Written Test

Practical

- Evaluation at workplace
- Inspection
- Operation
- Maintenance
- Hands on Testing

Agenda:

A/V Presentation.....30 Minutes
Test and Review.....30 Minutes
Pre-operation Inspection.....Hands On.....25 Minutes
Hands on Test.....15+Minutes Per Person

We thank you for the opportunity to quote and we look forward to serving your needs.

Tony Reopel
United Industrial Service, Inc.